

PREMIER Line

Industry Solutions Since 1949

AUTOMATIC NET WEIGHT LIQUID FILLING MACHINES - AE SERIES

NET WEIGHT FILLING AND CLOSING MACHINE FOR FILLING 1/2 PINTS TO GALLON CONTAINERS



Ideal-Pak Model AE2-CAM Two Head Automatic Net Weight Liquid Filling Machine with DFS® Direct Fill System, LPA-0000 Lid Placer, 2340HR Roller Closer, and Rotary Table Container Accumulator (optional).

PRODUCT OVERVIEW

The Ideal-Pak PREMIER Line delivers the highest of levels of automation and precision filling performance in a full-featured package. Improve productivity with automatic PLC-controlled filling, lid placement, lid closing and conveyor systems for hands-free operation.

STANDARD PRODUCT FEATURES

- Electronic Net Weight Filling – In Single or Dual Container Filling Station Configurations
- Allen-Bradley PLC
- Auto Preact
- Check Weigher at Fill Stations
- Clean Two Stage Conveyor Design
- Container Counter
- Fast Fill Recipe Development & Convenient Fill Recipe Storage
- Fills 1/2 Pint to Gallons
- Heavy Duty Roller Closer
- Large Color Touch Screen HMI with Recipe Storage & Ethernet Connectivity
- Lb/Kg Weight Units Toggle
- Machine Diagnostics
- Patented Flush-Fill Cart System
- Patented Interchangeable Fill Cart (Ideal-Pak DFS® Direct Fill System or Manifold Fill Cart)
- Permanent Lubrication
- Preventative Maintenance Alert
- Rigid Steel Frame Construction




ABOUT IDEAL-PAK

Ideal-Pak Liquid Filling Machines are designed to increase your productivity, yields and efficiency. Choose from Automatic to Semi-Automatic or Manual Configurations to fill small containers up to drums and totes. Ideal-Pak customers are in the paint and coatings, lubricants, chemicals and food & beverage industries. Ideal-Pak is also your first source for a wide variety of closing machines, lid placers and precision nozzles, plus parts and service, (including Neupak).

CONTAINER SIZE

Small Containers		
• 1/2 Pint		Pails
• Pints		Kegs
• Quarts		Drums
• Gallons		Totes

INDUSTRIES SERVED

Paints & Coatings	
Chemicals	
Lubricants	

May be covered by one or more of the following U.S. Patents: #5,505,233, #5,823,406, #6,148,877, #6,595,250

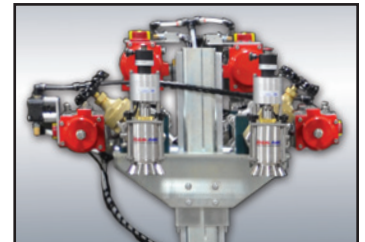
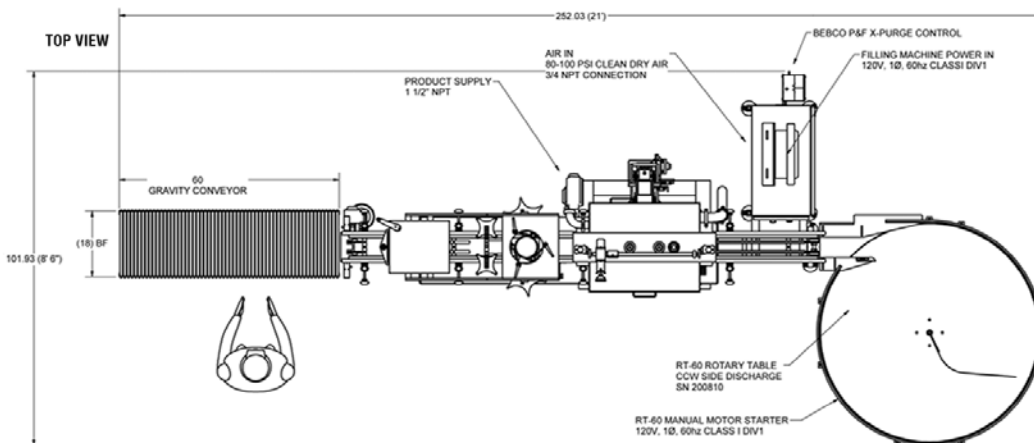


AUTOMATIC NET WEIGHT LIQUID FILLING MACHINES - AE SERIES

MACHINE SPECIFICATIONS	
Electrical	120 VAC, 1Ø, 60 Hz
Air (per head)	2 SCFM @ 80 PSI (Clean Dry Air) with pump
Speed (CPM)	Estimated Range*
1 Half Pint	10 - 16
1 Pint	10 - 16
1 Quart	10 - 16
1 Gallon	8 - 14
Accuracy: To Within \pm .10 lbs	
*Estimated average range for screw top & F-Style containers. Fill rates will vary depending on container size, container shape, fill opening, accuracy required, product supply, as well as individual product characteristics and operation mode.	

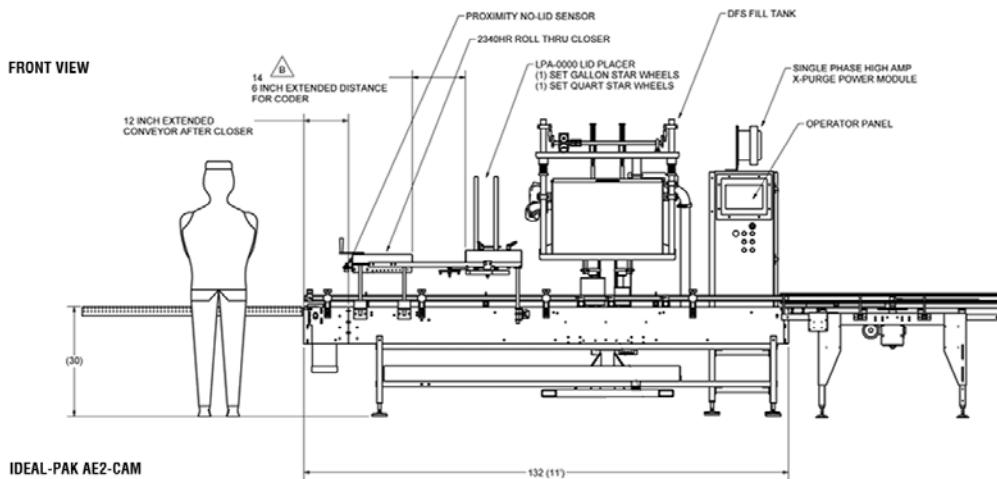
OPTIONS

- Additional Mobile Filling Carts.
- Explosion Proof Machine Upgrade (Class 1, Div 1).
- Flush Trough for Remote Fill Cart Cleaning.
- Glycol Pumps.
- Hand Capper (pneumatic).
- Ideal Pak's Exclusive Direct Fill System DFS® Fill Carts.
- In-feed and Exit Conveyors (Gravity Roller or Powered).
- Lid Placers.
- Nitrogen Purge Controls.
- Pump Controls.
- Roller Closers, Crimper Closers or Press Plate (burper) Closers.
- Rotary In-Feed or Accumulation Tables.
- Sanitary Contact Parts.
- Spare Parts Kits.
- Top Fill, Inside Fill or Bottom Up Filling.
- Various Nozzle Configurations; Cone, Plug, Probe & Shower.
- Zinc Plated Carbon Steel, Stainless Steel or Epoxy Coated Paint Frame.



Ideal-Pak Model AE2-CAM Two Head Automatic Net Weight Liquid Filling Machine with Interchangeable Manifold Fill Cart Configured for Top Filling.

May be covered by one or more of the following U.S. Patents: #5,505,233, #5,823,406, #6,148,877, #6,595,250



IDEAL-PAK AE2-CAM

AE2-CAM-DFS Rev. 10-2015 Subject to changes and modifications without notice.

