

COMPONENTS

Industry Solutions Since 1949

FLUSH STATION WITH TROUGH CART, PUMP AND CONTROL BOX ASSEMBLY



Ideal-Pak A118-0185 Flush Station System shown with Ideal-Pak DFS® Direct Fill System with 6 Nozzles.

PRODUCT OVERVIEW

The Ideal-Pak Patented Flush Station Cart System reduces product changeover time with the exclusive flush-fill cleaning process. Design to integrate with Ideal-Pak DFS® Direct Fill System or Manifold Cart in multiple filling head configurations.

FLUSH STATION USER BENEFITS

- Dedicated Fill Carts:
 - Eliminate Cross-Contamination.
 - Provide Extremely Fast Product Changeover
 - Reduce Machine Downtime
 - Are Cleaned Remotely without Causing Machine Downtime.
 - Easy To Clean.
 - Economical.
- Fill Cart Disconnects for Remote Off-Line Cleaning.
 - Dedicated Flush Control Assembly.
 - Multiple Fill Cycles.
 - Quality Construction.
 - Save Time and Increase Efficiency.
 - Tangle Free Movement.

May be covered by one or more of the following
U.S. Patents: #5,505,233, #5,823,406, #6,148,877,
#6,595,250

CONTAINER SIZE

Small Containers	
• 1/2 Pint	• Pails
• Pints	• Kegs
• Quarts	• Drums
• Gallons	• Totes

INDUSTRIES SERVED

Paints & Coatings	
Chemicals	
Lubricants	
Food & Beverage	

ABOUT IDEAL-PAK

Ideal-Pak Liquid Filling Machines are designed to increase your yields, productivity and efficiency. Choose from Automatic to Semi-Automatic or Manual Configurations to fill small containers up to drums and totes. Ideal-Pak customers are in the paint and coatings, lubricants, chemicals and food & beverage industries.

Ideal-Pak is also your first source for a wide variety of closing machines, lid placers and precision nozzles, plus parts and service, (including Neupak).

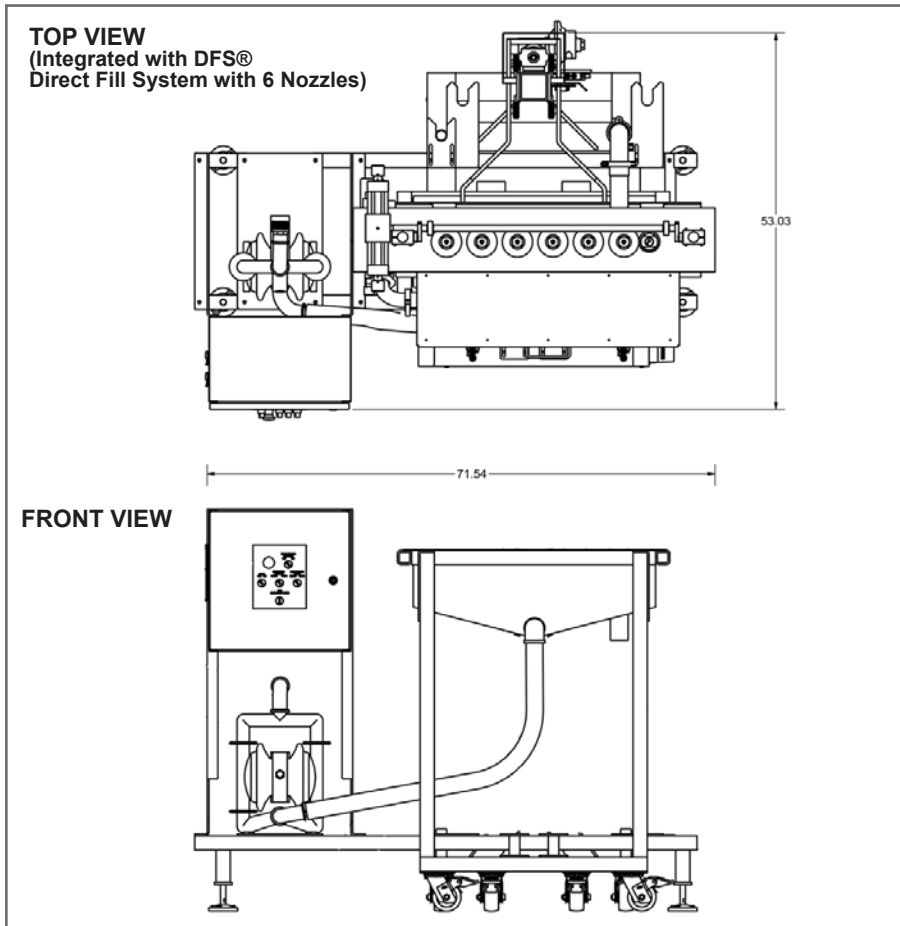
CONTACT IDEAL-PAK PARTS & SERVICE

Phone: 608-316-6312

Email: service@ideal-pak.com



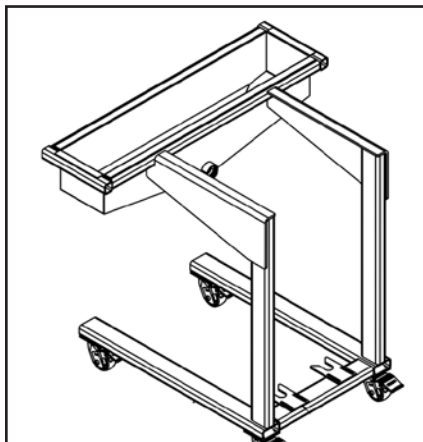
FLUSH STATION WITH TROUGH CART, PUMP AND CONTROL BOX ASSEMBLY



IDEAL-PAK COMPONENT OPTIONS

- Additional Mobile Filling Carts.
- Explosion Proof Machine Upgrade Class 1, Div 1.
- Glycol Pumps.
- Hand Capper (pneumatic).
- Ideal Pak Exclusive Direct Fill System DFS®.
- In-feed & Exit Conveyors, Gravity Roller or Powered).
- Lid Placers.
- Nitrogen Purge Controls.
- Pump Controls.
- Roller Closers, Crimper Closers or Press Plate (burper) Closers.
- Rotary In-Feed or Accumulation Tables.
- Sanitary Contact Parts.
- Spare Parts Kits.
- Top Fill, Inside Fill or Bottom Up Filling.
- Various Nozzle Configurations; Cone, Plug, Probe & Shower.
- Zinc Plated Carbon Steel, Stainless Steel or Epoxy Coated Paint Frame.

Subject to changes and modifications without notice.
May be covered by one or more of the following U.S. Patents: #5,505,233, #5,823,406, #6,148,877, #6,595,250



Ideal-Pak Flush Trough for Machine-Free Fill Cart Cleaning.



Ideal-Pak Flush Trough configured for 6 Nozzle Remote Fill Cart Cleaning.



Ideal-Pak Flush Trough configured for 4 Nozzle Remote Fill Cart Cleaning.

FLUSH STATION 4-2015

