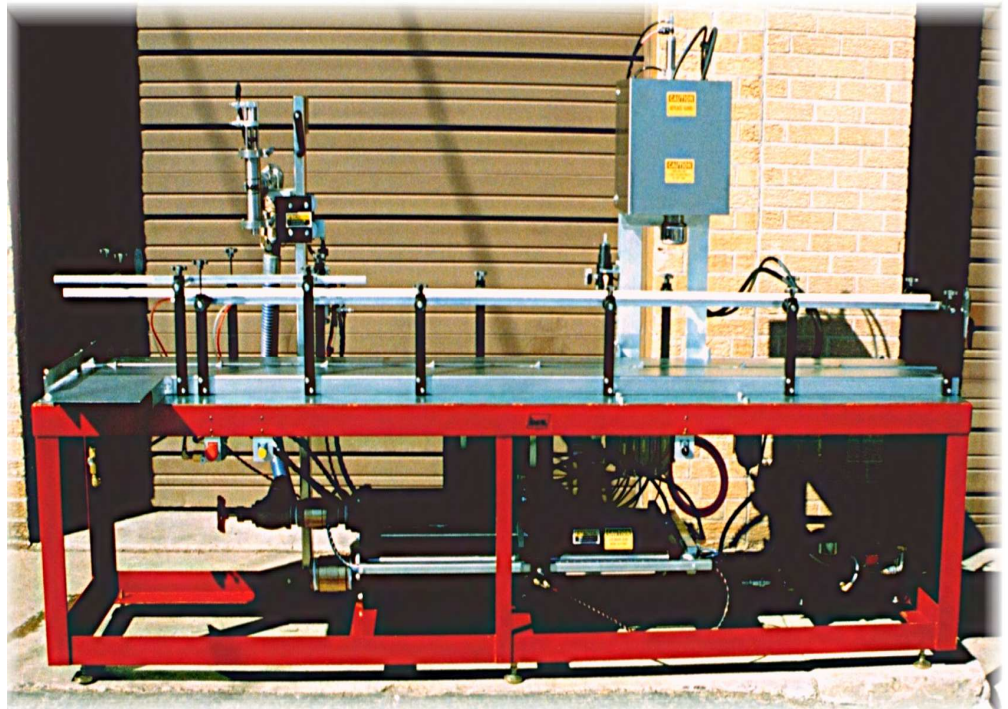


# SA-10431



Industry Solutions Since 1949

May be covered by one or more of the following  
Patents: 5,505,233, 5,823,406, 6,148,877, 6,595,250



## Semi Automatic Volumetric Filling and Closing Machine for Tight-head 5 Gallons

The **IDEAL** SA-10431 is a semi automatic volumetric filler and closer, for filling tight-head 5 gallon containers.

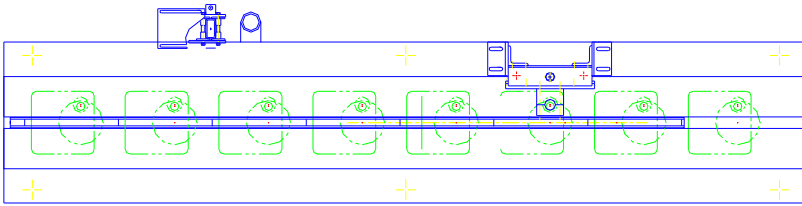
Place a container on the conveyor. It is automatically advanced under the nozzle. The fill cycle begins when the No-Can-No-Fill button is contacted. The filled container is indexed to a position where it is stopped and an operator manually places a Flex-Spout FS600 onto the container fill opening. The conveyor will index the container on subsequent cycles to the Rieke® crimper where the container is stopped and the Flex-Spout is crimped to the container. The next index will position the container where the operator can remove it from the machine.

### FEATURES

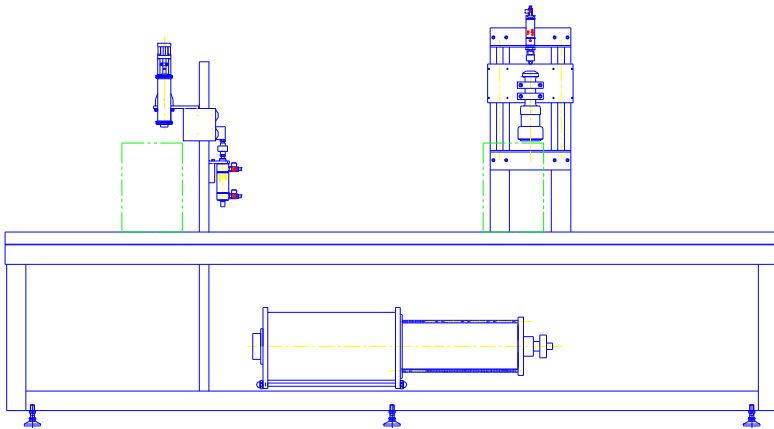
- Monofill measuring cylinder dispenses up to 5 Imperial gallons in one stroke
- Rieke® crimper
- Throttle valve for controlling product flow to the nozzle
- Air operated

**IDEAL**<sup>®</sup>  
MANUFACTURING & SALES CORP.

**Top View**



**Front View**



**OPTIONS:**

- ◆ *Several nozzle configurations including capillary, plug, cone and probe*
- ◆ *Flush attachments connect to nozzle for enclosed cleaning*
- ◆ *Fill tub*
- ◆ *Constant level device*
- ◆ *Glycol pump*
- ◆ *Nitrogen container purge controls*

**Machine Specifications**

Electrical	None	
Air	25 SCFM @ 80 PSI (clean dry air)	
Container Size	5 gallon tight-head	
Speed*	5 Gallon	2 – 5 cpm
Accuracy**	± .25% by volume	
<small>*Fill rates will vary depending on container size, container shape, fill opening, accuracy required, product supply, as well as individual product characteristics.  **A consistent head pressure in the tank this machine will draw from, will help keep the fills accurate.</small>		

**IDEAL**®

Mfg. & Sales Corporation

4607 Dovetail Drive  
Madison, WI 53704

Phone: 608-241-1118  
Toll Free: 800-383-1128  
Fax: 608-241-4448

*E-Mail:*

[sales@idealmfg.com](mailto:sales@idealmfg.com)

*Visit our Website at*

[www.idealmfg.com](http://www.idealmfg.com)

Since we continuously strive to improve our products, we reserve the right to make changes and modifications without notice.