

Industry Solutions Since 1949

### IDEAL-PAK SHOWER NOZZLE FOR RAPID DRIP-FREE FILLING



#### STOP THE DRIPS

The Ideal-Pak Shower Head Nozzle with interchangeable plates is designed for rapid drip free filling of 1/2 pint to 6 gallon open top containers with adhesives, inks and paints. It is also great for filling light liquids such as light paints, solvents, stains and other low to mid-viscosity products.

#### CLEAN UP FASTER

The high quality materials used on this nozzle include wetted parts made from Stainless Steel, Brass, Teflon and Viton. Improve production with rapid change-over and quick clean ups.

#### STANDARD PRODUCT FEATURES

- Allows for CIP (Clean In Place)
- Capillary Action
- Disassembles Easily for Clean-up
- Interchangeable Nozzle Plates
- Low to Mid Viscosity Liquids

- Lapped Sealing Surfaces Minimize Dripping for Cleaner Filling and Product Cutoff
- Precision Machined Components for Years of Trouble-free Use
- Tool-free Assembly

#### OPTIONS: Flush Attachment



- Adapter, 2" T-C x 2" MNPT
- Adapter, 2" T-C x 2" FNPT
- Hinged Tri-Clamp, Heavy Duty 2
- Gasket, Viton with TFE Envelope
- CIP Configuration
- Stainless Steel Wetted Parts

#### CONTAINER SIZE

Small Containers			
• 1/2 Pint	• Pails		
• Pints			Kegs
• Quarts			Drums
• Gallons			Totes

#### INDUSTRIES SERVED

Paints & Coatings	
Chemicals	
Lubricants	
Food & Beverage	

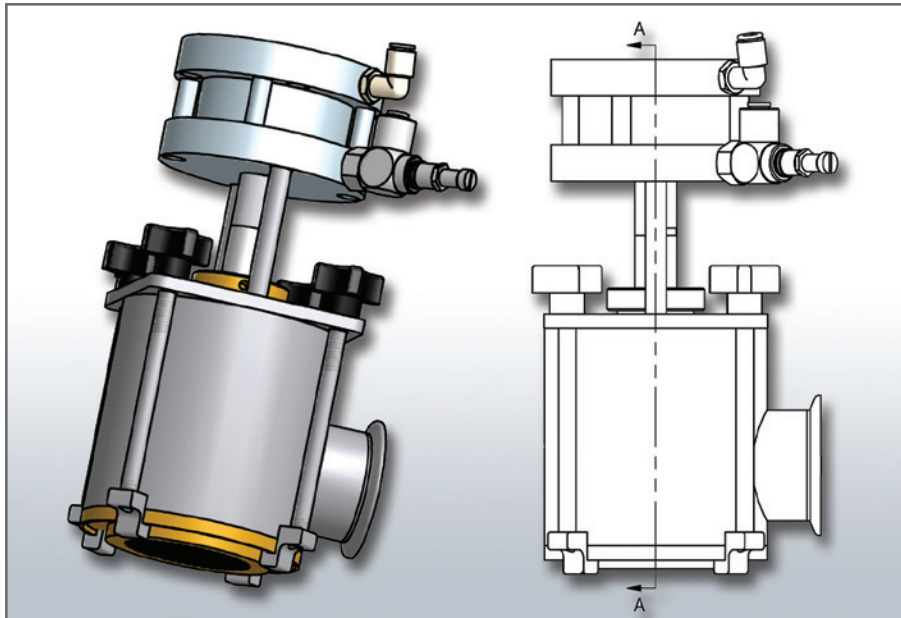
#### Interchangeable Plates for Ideal-Pak Shower Nozzle

NOZZLE PLATES	HOLES/ROWS	CONSTRUCTION
QUART TO GALLON		
C100-0021	.094 Holes, 9 Rows	Brass
C100-0023	.094 Holes, 8 Rows	Brass
C100-0027	.187 Holes, 5 Rows	Brass
C100-0049	115 .11 I.D. S.S. Tubes, 6 Rows	Brass
C100-0075	205 .11 I.D. S.S. Tubes, 8 Rows	Brass
1/2 PINT TO PINT		
C100-0025	.094 Holes, 6 Rows	Brass
C100-0029	.187 Holes, 3 Rows	Brass

May be covered by one or more of the following U.S. Patents: #5,505,233, #5,823,406, #6,148,877, #6,595,250



## High Performance Nozzles For Liquid Filling Machines



### ABOUT IDEAL-PAK

Ideal-Pak Liquid Filling Machines are designed to increase your yields, productivity and efficiency. Choose from Automatic to Semi-Automatic or Manual Configurations to fill small containers up to drums and totes. Ideal-Pak customers are in the paint and coatings, lubricants, chemicals and food & beverage industries.

Choose Ideal-Pak for a wide variety of closing machines, lid placers and precision nozzles, plus parts and service.

### CONTACT IDEAL-PAK PARTS & SERVICE

Phone: 608-316-6312

Email: [service@ideal-pak.com](mailto:service@ideal-pak.com)

## Ideal-Pak Line of High Performance Nozzles

Ideal-Pak has developed a variety of precision made nozzles to optimize the filling of virtually any liquid product. To learn more about the range of liquids and viscosities of our high performance nozzles for your application, contact your Ideal-Pak sales representative.



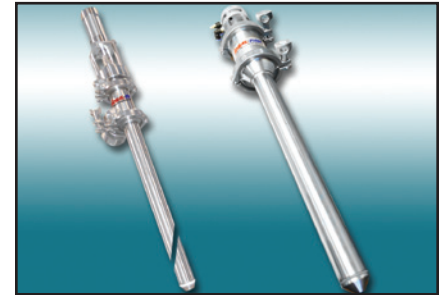
### No-Weep 3 x 4 Plug Nozzle

Featuring a stronger shaft, improved plug, and no dam, the new Plug Nozzle is the next generation of innovative nozzle design. The wetted parts on this nozzle are Stainless Steel, Teflon and Viton.



### Vented Cone Nozzle

The Ideal-Pak Vented Cone Nozzle works great on products that have a tendency to string or drip from a capillary nozzle. The stainless steel cone pinches the product off getting rid of the string. The umbrella shape of the stream directs product flow over greater surface area to reduce foaming.



### Probe Nozzle

The Ideal-Pak Probe Nozzle is designed for bottom-up filling of a wide range of products. The Probe Nozzle reduces static build-up and is well suited to filling foamy products. Available in long probe lengths for sub-surface and bottom-up filling in pails, kegs, drums and totes.

Vented Cone Nozzle Rev. 07-2014

