

Semi Automatic Volumetric Filling and Closing Machine for Gallons to 5 Gallons

May be covered by one or more of the following Patents: 5,505,233, 5,823,406, 6,148,877, 6,595,250

The **IDEAL** SA-550 is a semi automatic volumetric filler and closer, for filling open top 5 gallon containers, from the top. Options are available to fill containers down to 1 gallon.

Placing a pail under the nozzle begins the fill cycle by contacting the No-Can-No fill switch. After filling, the pail is rolled to the Table Top chain conveyor where an operator places a lid. The lid is sealed as the container is conveyed through the roller closer assembly.

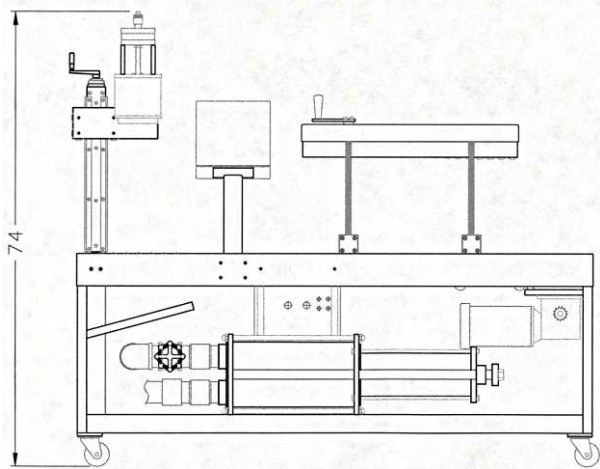
FEATURES

- Monofill measuring cylinder dispenses up to 5 Imperial gallons in one stroke
- Roller closer seals gallon to 5 gallon friction and press on lids
- 1/4" wall rollers in the roller closer
- Throttle valve for controlling product flow to the nozzle
- Zinc plating provides a durable finish
- Dual 6" Table Top chain powered conveyor

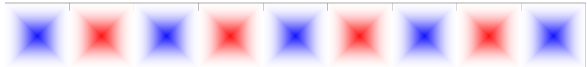
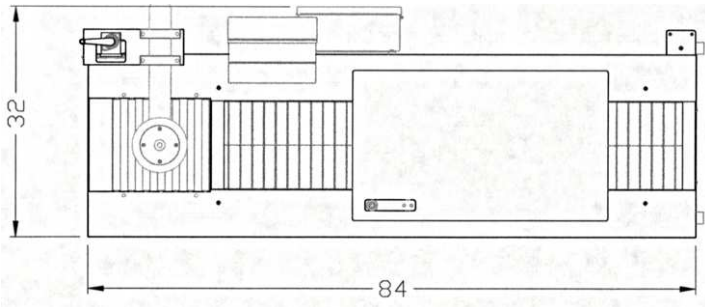


THE PACKAGING PRO'S

Front View



Top View



OPTIONS:

- ◆ Several nozzle configuration including capillary, plug, cone and probe
- ◆ Flush attachments connect to nozzle for enclosed cleaning
- ◆ Fill tub
- ◆ Constant level device
- ◆ Glycol pump
- ◆ Coder
- ◆ Lid placers



4607 Dovetail Drive
 Madison, WI 53704
 Phone: 608-241-1118
 Toll Free: 800-383-1128
 Fax: 608-241-4448

E-Mail:

sales@idealmfg.com

Visit our Websites at

www.idealmfg.com

www.neupak.com

Machine Specifications		
Electrical	120 VAC, 1Ø, 60 Hz, 9.8 amps	
Air	10 SCFM @ 80 PSI (clean dry air)	
Container Size	Gallon to 5 gallon open top	
Speed*	1 Gallon	8 – 15 cpm
	5 Gallon	6 – 9 cpm
Accuracy**	± .25% by volume	
<small>*Fill rates will vary depending on container size, container shape, fill opening, accuracy required, product supply, as well as individual product characteristics. **A consistent head pressure in the tank this machine will draw from will help keep the fills accurate.</small>		