

IDEAL-PAK

Filling & Packaging Line Solutions

Industry Solutions Since 1949

PREFERRED

Semi-Automatic Filling Machine
V-Series

Line

Semi-Automatic Volumetric Filling & Closing Machine for Quarts to 5 Gallons

The SV1-CEM is a semi-automatic volumetric filler and closer for filling open top quart to 5 gallon containers. Placing a container under the nozzle begins the fill cycle by contacting the no-can-no fill switch. After filling, the container is advanced by the operator to the conveyor. Containers are conveyed through a heavy-duty roller closer.



Shown with Optional 23-M-G One Gallon Metal Lid Placer and Closer Guards



FEATURES

- Fill by Volume
- Top Fill
- Metal or Plastic Containers
- Posifill Measuring Cylinder Dispenses up to 4 Liters in One Stroke
- Six Position Turret for Preset Volumes
- Heavy-duty Roller Closer
- Allen-Bradley PLC
- Rigid Steel Frame Construction
- Rollers on Fill Platform
- Selector Switch to Cycle Measuring Cylinder 1 or 5 Times

Model: **SV1-CEM**



IDEAL[®]
MANUFACTURING & SALES CORP.

Ideal Manufacturing & Sales Corp.
4607 Dovetail Drive • Madison, WI 53704
Toll Free: (800) 383-1128 • Local: (608) 241-1118
www.ideal-pak.com

May be covered by one or more of the following
U.S. Patents: #5,505,233, #5,823,406, #6,148,877, #6,595,250



Sizes

	1/2 Pint	●	Pails
	Pints		Kegs
●	Quart		Drums
●	Gallons		Totes

Machine Specifications

Electrical	110 VAL, 1Ø, 60Hz	
Air	10 SCFM @ 80 PSI (clean dry air)	
Container Size	Quart to 5 gallon open top	
Speed*	Quart	8 – 15 cpm
	1 Gallon	8 – 15 cpm
	5 Gallon	2 - 4 cpm
Accuracy**	± .25% by volume	

*Fill rates will vary depending on container size, container shape, fill opening, accuracy required, product supply, as well as individual product characteristics.

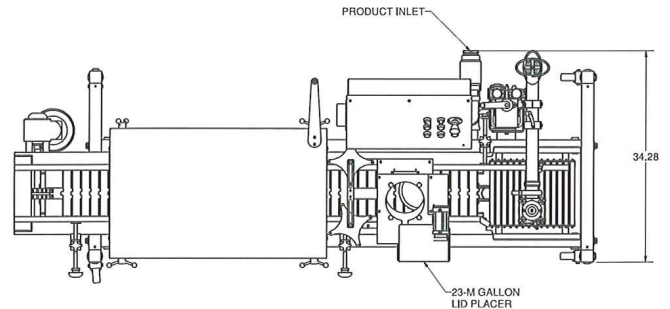
**A consistent head pressure in the tank this machine will draw from will help keep the fills accurate.

Since we continuously strive to improve our products, we reserve the right to make changes and modifications without notice.

OPTIONS

- Several nozzle configurations including capillary, plug, cone, and probe
- Flush attachments connect to nozzle for enclosed cleaning
- Fill Tub
- Constant level device
- Glycol pump
- Lid Placers
- Closer Guards

Top View



Front View

